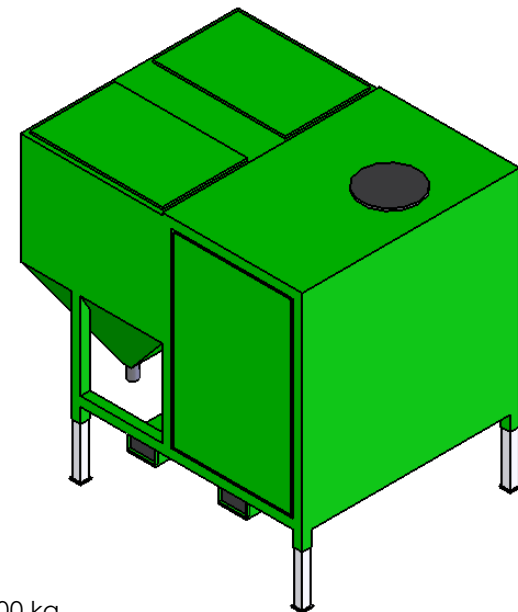
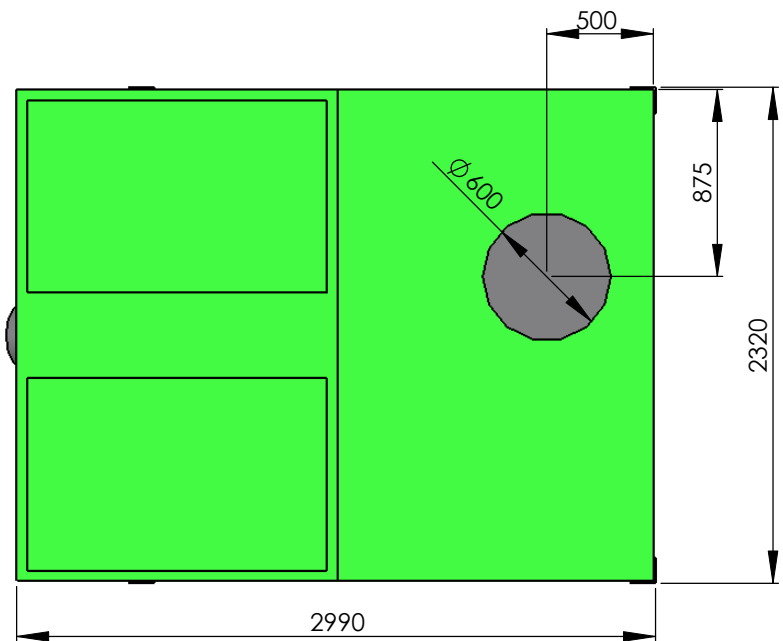
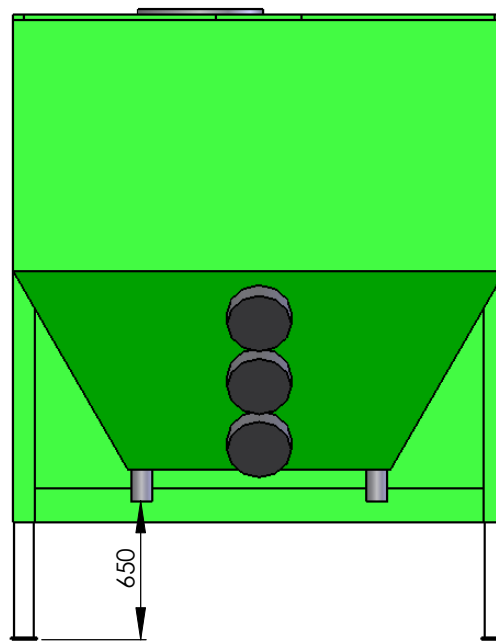
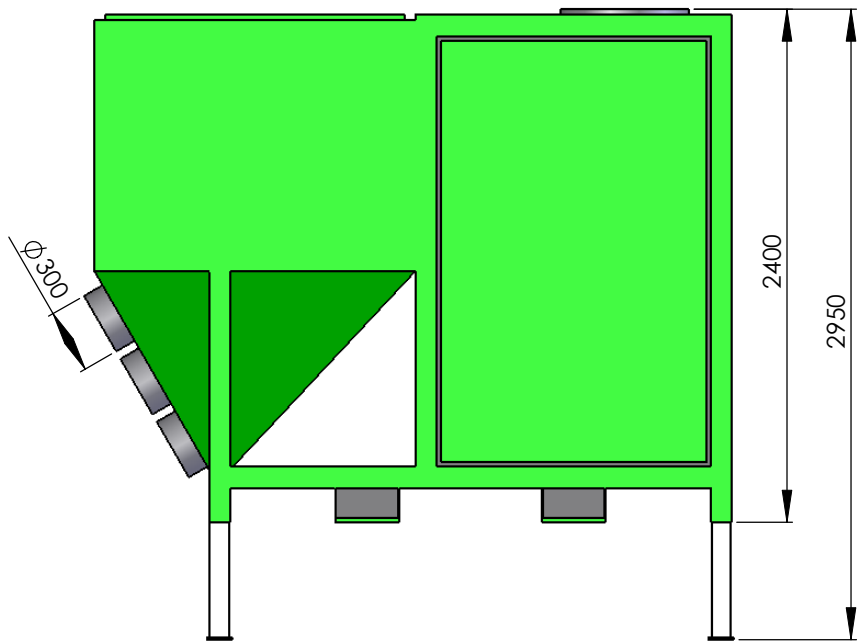
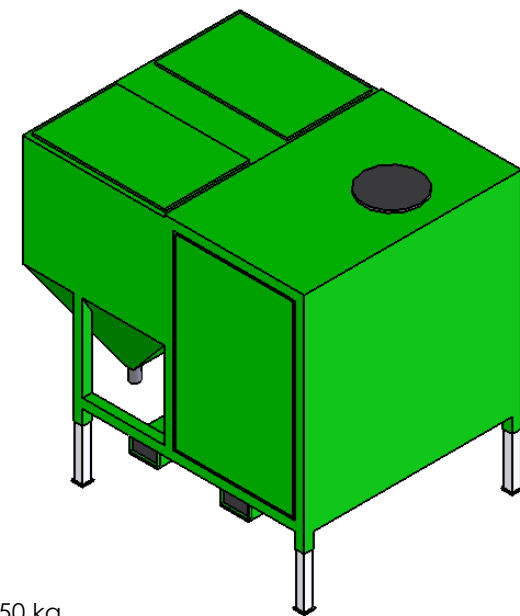
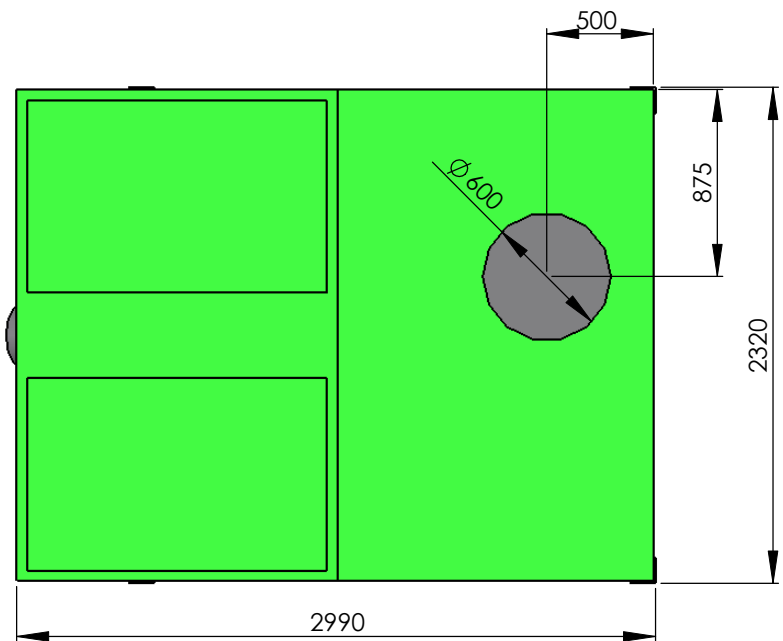
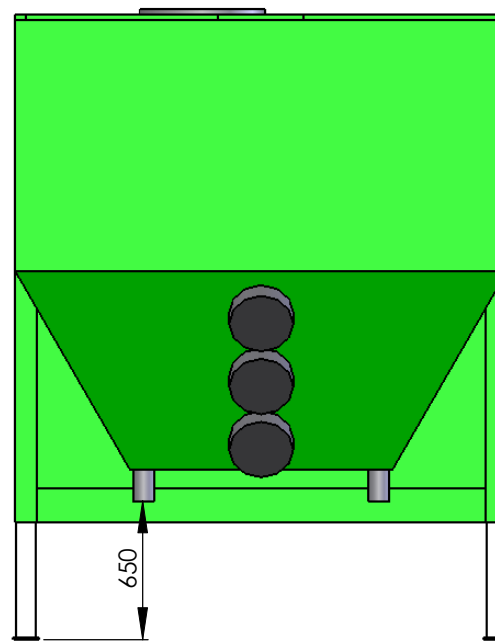
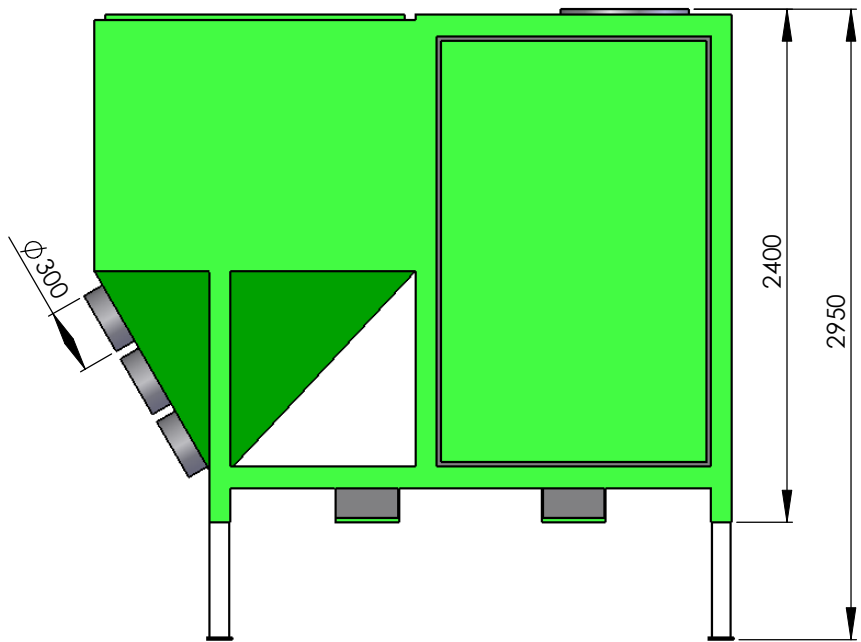


MUNKEBO CLEMCO A/S SMEDELØKKEN 5-7 TLF.: +45 65 97 43 80 DK-5330 MUNKEBO FAX: +45 65 97 47 45 WWW.MUNKEBO.COM INFO@MUNKEBO.COM	Format: A3	Date: 16.02.10	Drawn by: LA
	Page: 1 of 1	Rev. date:	Scale: 1:20
Description: CONTAINERIZED PORTABLE DUST COLLECTOR MB-5000D / MBX-52C3		Drawing no.: MB-3118	



Weight = 2200 kg

MUNKEBO CLEMCO A/S SMEDELØKKEN 5-7 TLF.: +45 65 97 43 80 DK-5330 MUNKEBO FAX: +45 65 97 47 45 WWW.MUNKEBO.COM INFO@MUNKEBO.COM	Format: A3	Date: 10.08.09	Drawn by: LA
	Page: 1 of 1	Rev. date:	Scale: 1:25
Description: CONTAINERIZED PORTABLE DUST COLLECTOR MB-1000D / MBX-120C3		Drawing no.: 9,1393	



Weight = 2350 kg

MUNKEBO CLEMCO A/S SMEDELØKKEN 5-7 TLF.: +45 65 97 43 80 DK-5330 MUNKEBO FAX: +45 65 97 47 45 WWW.MUNKEBO.COM INFO@MUNKEBO.COM	Format: A3	Date: 10.08.09	Drawn by: LA
	Page: 1 of 1	Rev. date:	Scale: 1:25
Description: CONTAINERIZED PORTABLE DUST COLLECTOR MB-20000D / MBX-156C3		Drawing no.: 9,1394	